



KL FRESNEL 6 FC



The **KL Fresnel 6 FC™** is a full-color-spectrum LED fixture that provides high output, precise color temperature control, full-spectrum color rendering, and even wash coverage. Optimized for the tunable white light requirements of Film and Television, it is an ideal key and fill light source for many situations requiring outstanding performance and color quality, while offering a wide array of rich saturated colors and subtle pastels. The KL Fresnel 6 FC incorporates a highly efficient 5-in-1 (RGBMA) LED engine that produces up to 8,000 field lumens with a manual Zoom range of 10° to 32°. Outstanding color rendering quality, precise CCT presets, and remotely adjustable LED refresh frequency makes this unit the perfect choice for today's fast-paced production environments. Rugged and portable, the fixture can be mounted on a stand or suspended using any standard clamp. It is fully self-contained without the need for an external power supply and offers locking power pass-through for easy linking of multiple units. The KL Fresnel 6 FC can be operated through industry-standard DMX protocols and has full RDM support. In addition, it offers manual access using the included encoders and display, providing instant control of Intensity, Color temperature, Green shift, and other important settings. The display and encoders are conveniently positioned at the bottom side of the fixture to ensure unobstructed access while mounted on a stand.

FEATURES

- 220W RGBMA LED Engine
- Dynamic White + Full Spectrum Color Control
- 8,000 Total Fixture Lumen Output
- 10° to 32° Wide Manual Zoom
- Stand-Alone control with Encoder and LED Display
- Smooth 16-bit Selectable Dimming Modes and Curves
- LED Refresh Rate Adjustment
- Flicker Free Operation for TV and FILM
- RDM (Remote Device Management)
- 8-leaf Barn Doors and Gel Frame included



Specifications subject to change without notice ©Elation Professional 11-09-2022

Elation Professional USA | 6122 S. Eastern Ave. | Los Angeles, CA. 90040
323-582-3322 | 323-832-9142 fax | www.elationlighting.com | info@elationlighting.com

Elation Professional B.V. | Junostraat 2 | 6468 EW Kerkrade, The Netherlands
+31 45 546 85 66 | +31 45 546 85 96 fax | www.elationlighting.eu | info@elationlighting.eu

PRODUCT SPECIFICATIONS

SOURCE

220W 6500K RGBMA LED Engine
50,000 Hour Average LED Life*

*May vary depending on several factors including but not limited to:
Environmental Conditions, Power/Voltage, Usage Patterns (On-Off Cycling),
Control and Dimming.

PHOTOMETRIC DATA

8,000 Total Lumen Output
CRI 92.2
Zoom Range 10° - 32°
Beam Angle 9.7° - 32.2°
Field Angle 18.7° - 49.3°

EFFECTS

Manual Zoom
Electronic Dimmer and Strobe
Variable 16-bit Dimming Modes and Curves

COLOR

RGBMA Color Array
CMY Emulation
Variable CCT 2,400K - 8,500K
Green/Magenta Shift
Virtual Gel Swatch Book

CONTROL / CONNECTIONS

6 DMX Channel Modes (1 to 18 channels)
Manual and DMX Controlled Dimmer, Color and Zoom
Direct Access Encoder
4 Button Control Panel, LED Display
RDM (Remote Device Management)
3/5pin DMX and IP65 Locking Power In/Out
Connection

SIZE / WEIGHT

Length: 13.5" (344mm)
Width: 10.7" (272mm)
Vertical Height: 15.6" (398mm)
Weight: 15.9 lbs. (7.2kg)

ELECTRICAL / THERMAL

AC 100-240V - 50/60Hz
219W Max Power Consumption
5°F to 113°F (-15°C to 45°C)
BTU/hr (+/- 10%) 687.66

INCLUDED ITEMS

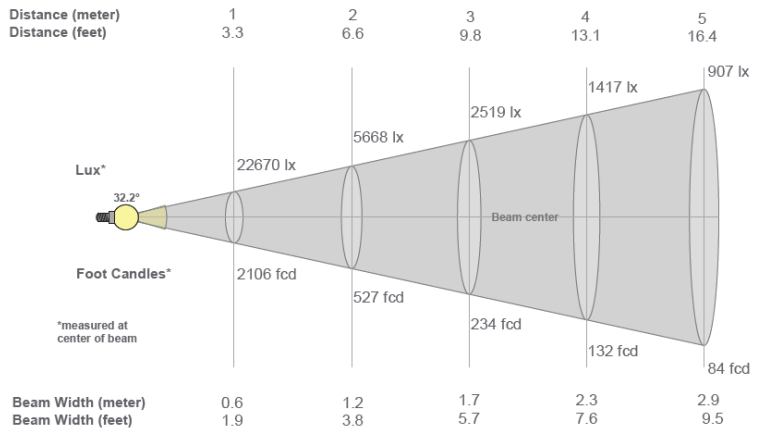
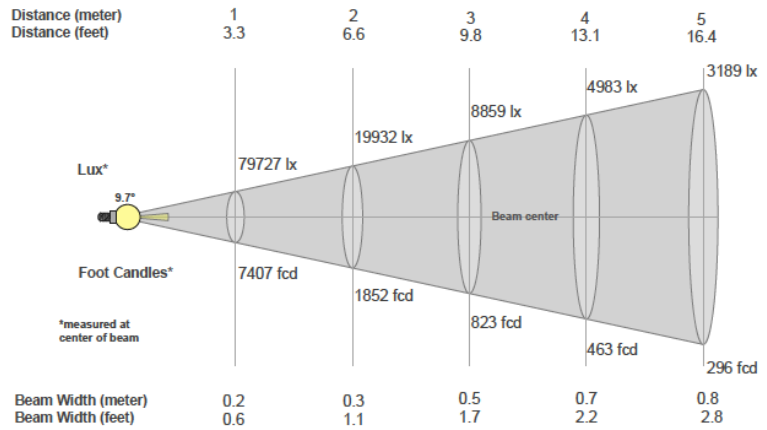
Gel Frame and Rotating 8-leaf Barn Doors
IP65 Locking Power Cable

APPROVALS / RATINGS

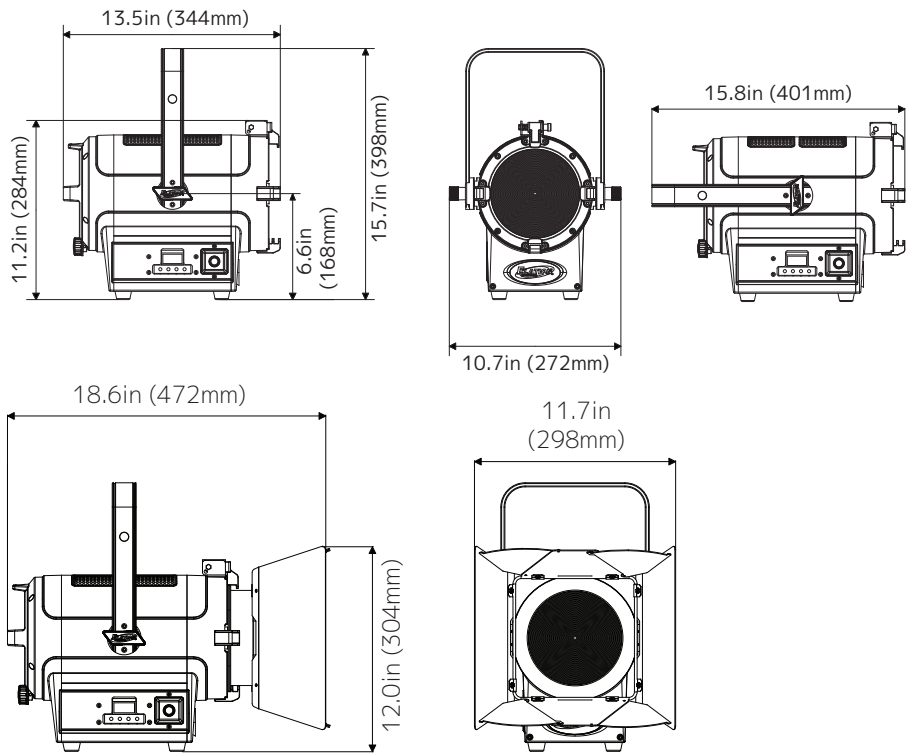
CE | cETLus | IP20

Specifications and documentation subject to change without notice.

PHOTOMETRIC DATA



DIMENSIONAL DRAWINGS



*DRAWINGS NOT TO SCALE

ORDERING INFORMATION

KLF846	KL Fresnel 6 FC (US SKU)
1236100185	KL Fresnel 6 FC (EU SKU)



Specifications subject to change without notice ©Elation Professional 11-09-2022

Elation Professional USA | 6122 S. Eastern Ave. | Los Angeles, CA. 90040
323-582-3322 | 323-832-9142 fax | www.elationlighting.com | info@elationlighting.com

Elation Professional B.V. | Junostraat 2 | 6468 EW Kerkrade, The Netherlands
+31 45 546 85 66 | +31 45 546 85 96 fax | www.elationlighting.eu | info@elationlighting.eu